

Model: DKSJ-15 X

Data

Type: Semi-hermetic piston compressors

Producer: Copeland

Series: DK

Model: DKSJ-15 X

Technical data

Nominal motor power [kW]:	
Cylinder count:	2
Displacement [m ³ /h]:	6,33
Cylinder capacity [cm ³]:	
RPM [min ⁻¹]:	1450
Weight [kg]:	42
Oil charge [dm ³]:	0,6
Power supply [V/~/Hz]:	

Connections

	<u>milimeters</u>	<u>inches</u>
Suction line:	15	5/8"
Discharge line:	12	1/2"

Model: DKSJ-15 X

Capacity

R404A/R507

Cooling capacity [W]

$t_c \setminus t_e$	-45	-40	-35	-30	-25	-20	-15	-10	-5	0	5	7
20	860	1 180	1 560	2 030	2 580	3 220	3 980	4 850	5 840	6 970	8 250	8 800
25	770	1 070	1 430	1 860	2 380	2 980	3 690	4 510	5 450	6 520	7 720	8 240
30	680	960	1 300	1 700	2 180	2 750	3 410	4 180	5 060	6 070	7 200	7 700
35	590	850	1 170	1 550	1 990	2 520	3 140	3 850	4 680	5 620	6 690	7 160
40	500	750	1 050	1 400	1 810	2 300	2 870	3 530	4 300	5 180	6 190	6 630
45	420	650	920	1 250	1 630	2 080	2 600	3 220	3 930	4 750	-	-
50	330	550	800	1 100	1 450	1 860	2 340	2 900	3 560	-	-	-
55	-	450	690	950	1 270	1 640	2 080	-	-	-	-	-

Power input [kW]

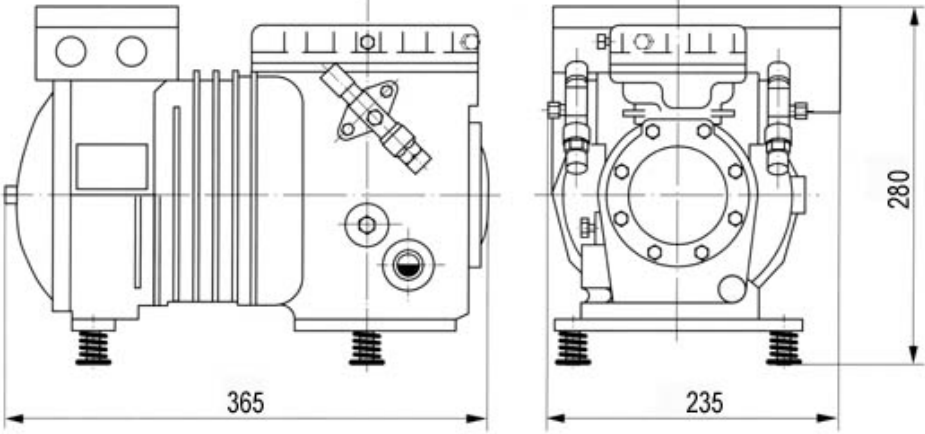
$t_c \setminus t_e$	-45	-40	-35	-30	-25	-20	-15	-10	-5	0	5	7
20	0.64	0.76	0.87	0.98	1.07	1.15	1.20	1.21	1.18	1.11	0.98	0.91
25	0.63	0.75	0.87	1.00	1.11	1.21	1.28	1.33	1.33	1.30	1.21	1.16
30	0.62	0.74	0.87	1.01	1.14	1.25	1.35	1.43	1.47	1.47	1.42	1.39
35	0.60	0.72	0.86	1.01	1.15	1.29	1.41	1.51	1.59	1.62	1.62	1.60
40	0.58	0.71	0.85	1.01	1.17	1.32	1.46	1.59	1.69	1.76	1.80	1.80
45	0.57	0.70	0.85	1.01	1.18	1.35	1.51	1.66	1.79	1.89	-	-
50	0.57	0.69	0.84	1.01	1.19	1.37	1.55	1.72	1.88	-	-	-
55	-	0.70	0.84	1.01	1.20	1.39	1.59	-	-	-	-	-

Operating conditions: suction gas temperature 25°C + additional cooling

t_c - Condensing temperature [°C]

t_e - Evaporating temperature [°C]

Model: DKSJ-15 X
Dimensions



Model: DKSJ-15 X

Image

